



www.comercializadorajfc.com

COMERCIALIZADORA JFC SA DE CV

Suc. León, Gto.

Tabachin del Valle 915 Col. Valle de León
León, Gto. CP 37140

Tel 477 161 2287

Suc. Querétaro.

Convento de san Agustin 6 Col. Mariano de las casas
Queretaro, Qro.CP 76037

Tel 442 595 4862



contacto@comercializadorajfc.com

Butterfly Valve

Model: GD-381X/GD381Y

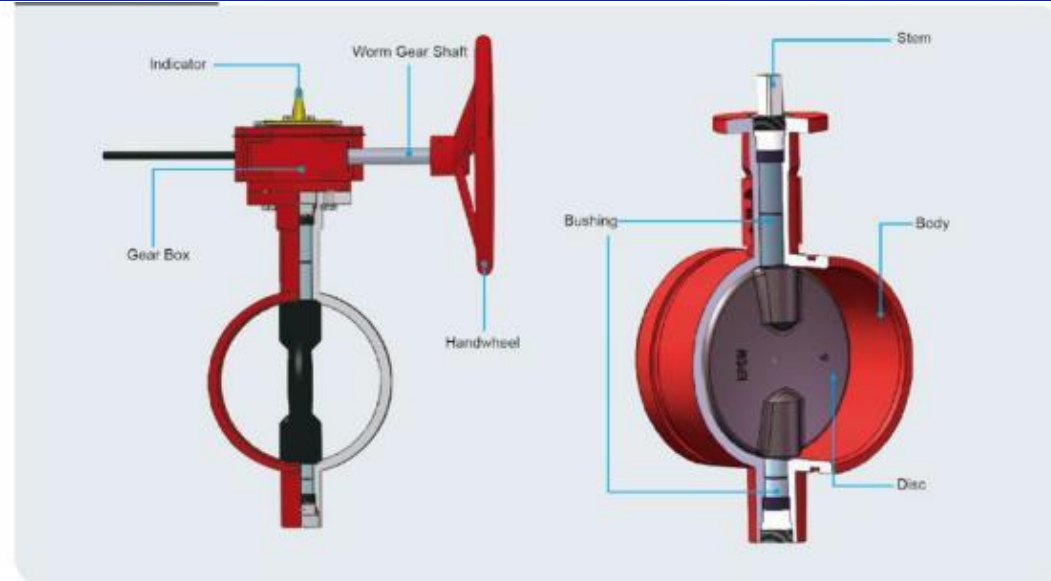
Technical Features

- Conforms: ANSI / AWWA C606 or Metric Standard Clear Waterway design
- Connection: Grooved End
- Sizes: 2", 2½", 3", 4", 5", 6", 8", 10", 12"
- Approvals: UL, CUL, FM, NSF / ANSI 61 & NSF/ ANSI 372
- Maximum Working Pressure: 300 PSI (Maximum Testing Pressure: 600 PSI) conforms to UL1091 & ULC / ORD-C1091 & FM class 1112
- Maximum Working Temperature: 80°C / 176°F
- Application: Indoor & Outdoor Use, Fire inflow water, drain pipe, high-rising building fire fighting system, industrial factory building fire protection system
- Coating Details: Epoxy coated interior and exterior by Electrostatic Spray or coating upon request
- Disc: Ductile Iron EPDM Rubber Encapsulated
- Top Flange Standard: ISO 5211
- Certified lead-free by NSF / ANSI 61 & NSF / ANSI 372 is available



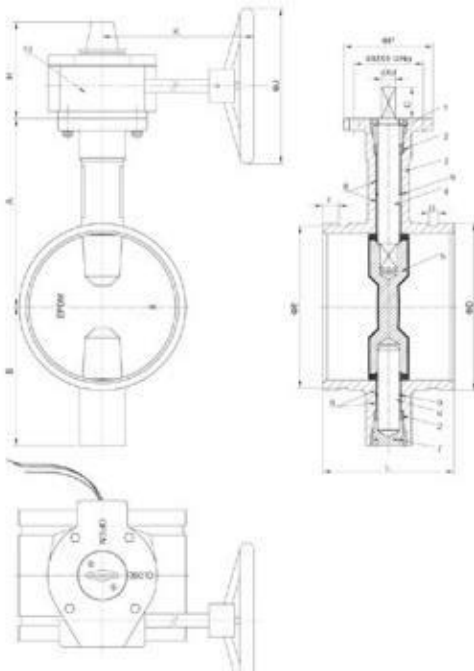
Butterfly Valve

Model: GD-381X/GD381Y



Valve Material List

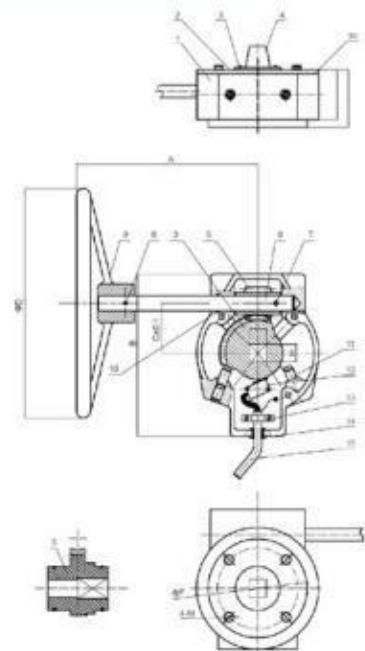
NO.	Description	Material	Standard
1	Upper Shaft Sealing Nut	WCB	ASTM A216
2	Shaft Seal	EPDM	ASTM D2000
3	Body	Ductile Iron	ASTM A536 Grade 65-45-12
4	Upper Shaft	416 Stainless Steel	ASTM A562
5	Disc+Rubber Seal	Ductile Iron+EPDM	ASTM A536+ASTM D2000
6	Lower Shaft	416 Stainless Steel	ASTM A562
7	Lower Shaft Sealing Nut	WCB	ASTM A216
8	Stem Bushing	PTFE / C95400	
9	O-Ring	EPDM	ASTM D2000
10	Gearbox		



Dimensions

SIZE	A	B	C	D	E	F	G	H	K	J	M	N	Q	L
2"	110	85	32	60.3	57.15	15.9	7.9	111	153	218	152	90	70	9 10 81/89
2½"	125	95	32	73	69.1	15.9	7.9	111	153	218	152	90	70	9 10 96.4
3"	140	100	32	88.9	84.9	15.9	7.9	111	153	218	152	90	70	9 11 97
4"	160	100	32	114.3	110.1	15.9	9.5	111	153	218	152	90	70	9 14 115.1
5"	170	125	32	139.7	135.5	15.9	9.5	111	153	218	152	90	70	9 14 132.4
6"	190	140	32	185.1	180.9	15.9	9.5	111	153	218	200	90	70	9 16 148
8"	230	175	32	219.1	214.4	19	11.1	126	210	232	300	125	102	12 19 133
10"	260	200	45	267.4	262.8	19	12.7	126	210	232	300	125	102	12 24 147.4
12"	300	240	45	318.5	312.9	19	12.7	161	249	350	150	125	14	26 165

Gearbox Drawing



Gearbox Material List

NO.	Description	Material	Standard
1	Gear Body	Ductile Iron	ASTM A536 Grade 65-45-12
2	Gear Cover	Ductile Iron	ASTM A536 Grade 65-45-12
3	Worm Wheel	Ductile Iron	ASTM A536 Grade 65-45-12
4	Indicator	Ductile Iron	ASTM A536 Grade 65-45-12
5	Worm	Steel	
6	Handwheel Shaft	Steel	
7	Pin	416 Stainless Steel	ASTM A562
8	Pin	416 Stainless Steel	ASTM A562
9	Handwheel	Ductile Iron	ASTM A536 Grade 65-45-12
10	O-Ring	EPDM	ASTM D2000
11	Set Screw	Steel	
12	Signal Switch	Switch Assembly	
13	Clip	Nylon	
14	Sealing Ring	EPDM	ASTM D2000
15	Wire	Wire	
16	Gasket	EPDM	ASTM D2000

Dimensions

Gearbox Valve	A	B	C	D	E	F	G	H	M
24:1 2"-2½"	153	218	164	45	152	70	65	58	10 M8
24:1 3"	153	218	164	45	152	70	65	58	11 M8
24:1 4"-5"	153	218	164	45	152	70	65	58	14 M8
24:1 6"	153	218	164	45	200	70	65	58	16 M8
30:1 8"	210	232	205	63	300	102	79	67	19 M10
30:1 10"	210	232	205	63	300	102	79	67	22 M10
80:1 12"	249	284	120	350	125	118	110	24	M12

300PSI OS&Y Flanged End Gate Valve
Model: Z41-300
Resilient Wedge OS & Y Gate valve – Flanged End
Technical Features

Nominal Pressure: 300PSI

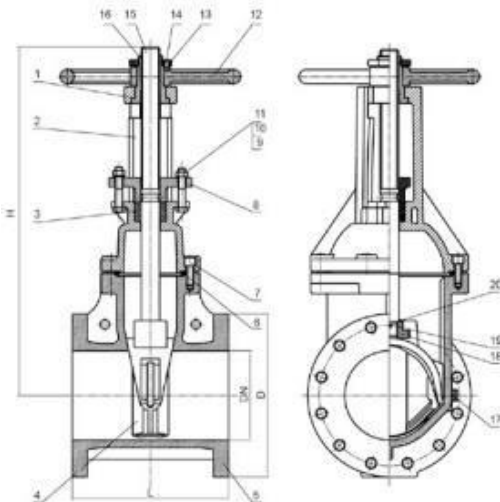
- Flange Standard: ASME / ANSI B 16.1 Class 125 or ASME / ANSI B 16.42 Class 150 or BS EN 1092-2 PN 16 or GB / T9113.1
- Sizes: 2½", 3", 4", 5", 6", 8", 10", 12"
- Face to Face Standard : ASME B 16.10
- Approvals: UL, CUL, FM, NSF / ANSI 61 & NSF / ANSI 372, CCC
- Maximum Working Pressure: 300PSI (Maximum Testing Pressure: 600 PSI) conforms to UL 262, ULC / ORD C 262-92 , FM class 1120 / 1130
- Maximum Working Temperature: 80°C / 176°F
- Coating Details: Epoxy coated interior and exterior by Electrostatic Spray or Coating upon request
- NPT plug on body with 2 operating nuts
- Certified lead-free by NSF / ANSI 61 & NSF / ANSI 372 is available

Valve Material List

NO.	Name	Material	Standard
1	Gasket	C95400	ASTM B148
2	Bonnet	Ductile iron	ASTM A536 Grade 65-45-12
3	Packing	Graphite	
4	Disc	Ductile Iron +EPDM	ASTM A536 Grade 65-45-12+ASTM D2000
5	Body	Ductile Iron	ASTM A536 Grade 65-45-12
6	Sealing Ring	EPDM	ASTM D2000
7	Bolt	Steel 1045	ASTM A29
8	Gland	Ductile Iron	ASTM A536 Grade 65-45-12
9	Nut	Steel 1045	ASTM A29
10	Flat Washer	Steel 1045	ASTM A29
11	Bolt	Steel 1045	ASTM A29
12	Handwheel	Ductile Iron	ASTM A536 Grade 65-45-12
13	Lock Nut	C95400	ASTM B148
14	Locating Screw	Stainless Steel 304	ASTM A276
15	Stem	Stainless Steel 304	ASTM A276
16	Stem Nut	C95400	ASTM B148
17	Plug	C95400	ASTM B148
18	Lifting Nut	CF8	ASTM A351
19	Pin	Stainless Steel 304	ASTM A276
20	Sealing Ring	EPDM	ASTM D2000

Dimensions

SIZE	DN	L	D	H
2½"	65	190	178	370
3"	80	203	191	420
4"	100	229	229	447
5"	125	254	254	547
6"	150	267	279	607
8"	200	292	343	754
10"	250	330	406	890
12"	300	356	483	1031



Butterfly Valve with Lever - Grooved End

Technical Features

- Conforms: ANSI / AWWA C806 or Metric Standard Clear Waterway design
- Connection: Grooved End
- Sizes: 2", 2½", 3", 4", 5", 6", 8"
- Maximum Working Pressure: 300 PSI (Maximum Testing Pressure: 600 PSI) conforms to UL1091 & ULC / ORD-C1091 & FM class 1112
- Maximum Working Temperature: 80°C / 176°F
- Application: Indoor & Outdoor Use, Fire inflow water, drain pipe, high-rising building fire fighting system, industrial factory building fire protection system
- Coating Details: Epoxy coated interior and exterior by Electrostatic Spray or coating upon request
- Disc: Ductile Iron EPDM Rubber Encapsulated
- Top Flange Standard: ISO 5211
- Certified lead-free by NSF / ANSI 61 & NSF / ANSI 372 is available

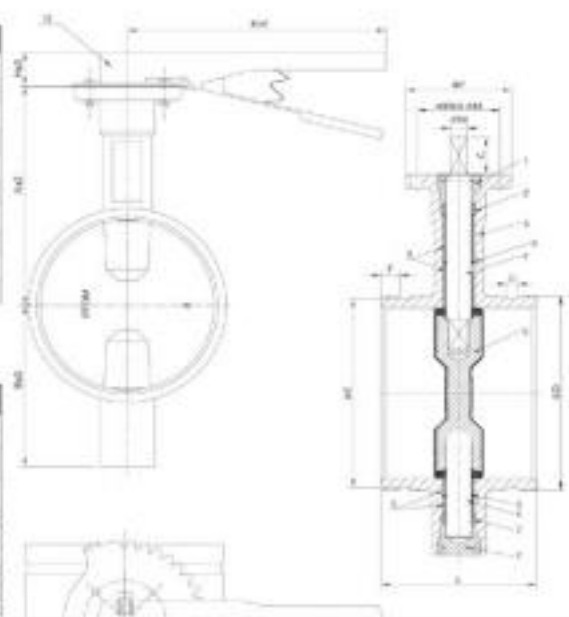


Valve Material List

NO.	Name	Material	Standard
1	Upper Shaft Sealing Nut	WCB	ASTM A216
2	Shaft Seal	EPDM	ASTM D2000
3	Body	Ductile Iron	ASTM A536 Grade 65-45-12
4	Upper Shaft	416 Stainless Steel	ASTM A562
5	Disc+Rubber Seat	Ductile Iron+EPDM	ASTM A536+ASTM D2000
6	Lower Shaft	416 Stainless Steel	ASTM A562
7	Lower Shaft Sealing Nut	WCB	ASTM A216
8	Stem Bushing	PTFE / C95400	
9	O-ring	EPDM	ASTM D2000
10	Lever	Malleable Iron	

Dimensions

SIZE	A	B	C	D	E	F	G	H	K	P	M	N	L
2"	110	85	32	80.3	57.2	15.6	7.9	32	267	90	70	9	10
2½"	125	95	32	73	69.1	15.6	7.9	32	267	90	70	9	10
3"	140	100	32	88.9	84.9	15.6	7.9	32	267	90	70	9	11
4"	160	100	32	114.3	111.1	15.6	9.5	32	267	90	70	9	14
5"	170	125	32	139.7	135.5	15.6	9.5	32	267	90	70	9	14
6"	190	140	32	155.1	150.9	15.6	9.5	32	267	90	70	9	16
8"	200	170	32	216.3	211.6	15.6	9.5	32	267	90	70	9	16
10"	250	200	32	271.5	266.7	15.6	9.5	32	267	90	70	9	16
12"	300	250	32	326.7	321.9	15.6	9.5	32	267	90	70	9	16



Resilient Wedge OS & Y Gate Valve – Groove End

Technical Features

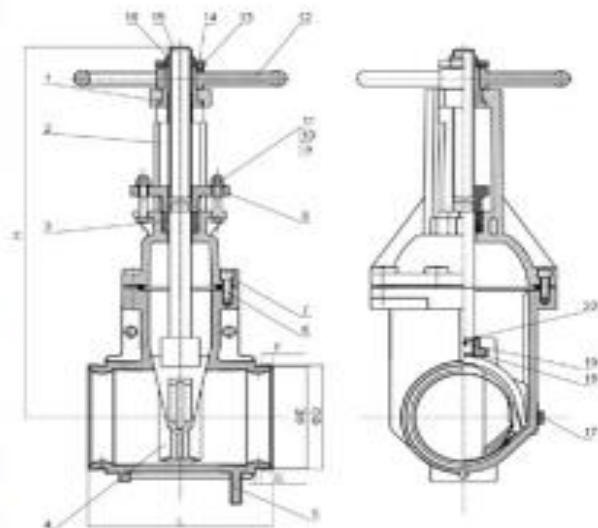
- Nominal Pressure: 300PSI
- Conforms: ANSI / AWWA C515 Standard
- Groove Standard: ANSI / AWWAC806 or Metric
- Face to Face Standard: ASME B16.10
- Sizes: 2½", 3", 4", 5", 6", 8", 10", 12"
- Approvals: FM, UL, CUL, NSF / ANSI 61 & NSF / ANSI 372
- Maximum Working Pressure: 300PSI (Maximum Testing Pressure: 600 PSI) conforms to UL262, ULC / ORD C262-92 , FM class 1120 / 1130
- Maximum Working Temperature: 80°C / 176°F
- Coating Details: Epoxy coated interior and exterior by Electrostatic Spray or Coating upon request
- NPT plug on body with 2 operating nuts
- Certified lead-free by NSF / ANSI 61 & NSF / ANSI 372 is available

Valve Material List

NO.	Name	Material	Standard
1	Gasket	Stainless Steel 304 or C95403	ASTM A276 or ASTM B148
2	Bonnet	Ductile Iron	ASTM A536 Grade 65-45-12
3	Packing	Graphite	
4	Disc	Ductile Iron +EPDM	ASTM A536 Grade 65-45-12+ASTM D2000
5	Body	Ductile Iron	ASTM A536 Grade 65-45-12
6	Sealing Ring	EPDM	ASTM D2000
7	Bolt	Stainless Steel 304 or Steel 1045	ASTM A276 or ASTM A29
8	Gland	Ductile Iron	ASTM A536 Grade 65-45-12
9	Nut	Stainless Steel 304 or Steel 1045	ASTM A276 or ASTM A29
10	Flat Washer	Stainless Steel 304 or Steel 1045	ASTM A276 or ASTM A29
11	Bolt	Stainless Steel 304 or Steel 1045	ASTM A276 or ASTM A29
12	Hand-wheel	Ductile Iron	ASTM A536 Grade 65-45-12
13	Lock Nut	C95400	ASTM B148
14	Locking Screw	Stainless Steel 304 or Steel 1045	ASTM A276 or ASTM A29
15	Stem	Stainless Steel 304 or C95403	ASTM A276 or ASTM B148
16	Stem Nut	C95400	ASTM B148
17	Plug	C95400	ASTM B148
18	Lifting Nut	CF8 or C95400	ASTM A351 or ASTM B148
19	Pin	Stainless Steel 304	ASTM A276
20	Sealing Ring	EPDM	ASTM D2000

Dimensions

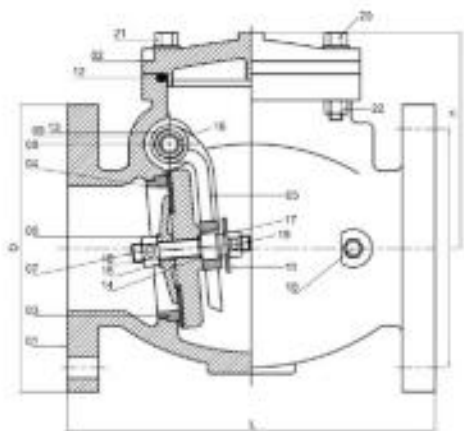
SIZE	DN	L	F	D	E	G	H
2½"	65	190	15.9	73	69.1	7.9	370
3"	80	200	15.9	88.9	84.9	7.9	420
4"	100	229	15.9	114.3	110.1	9.5	447
5"	125	254	15.9	139.7	135.5	9.5	547
6"	150	267	15.9	165.1	160.8	9.5	607
8"	200	292	19	216.3	211.6	11.1	754
10"	250	330	19	271.5	266.7	12.7	890
12"	300	356	19	323.0	318.3	12.7	1031



Flanged End

Technical Features

- Nominal Pressure: 300PSI
- Conforms: AWWA C508
- Flange Standard: ASME / ANSI B16.1 Class 125 or ASME / ANSI B16.42 Class 150 or BS EN1092-2 PN16 or GB / T9113.1
- Sizes: 2", 2½", 3", 4", 5", 6", 8", 10", 12"
- Face to Face Standard: ASME B16.10
- Approvals: UL, FM
- Maximum Working Pressure: 300PSI (Maximum Testing Pressure: 600PSI) conforms to UL 312 & FM class 1210
- Working Temperature: 80°C / 176°F
- Coating Details: Epoxy coated interior and exterior by Electrostatic Spray or coating upon request
- Applications: Used both vertically and horizontally; Used in one-way flow pipeline to prevent the water from back flow



Dimensions

Size	DN	L	D	H
2"	DN50	203	152	142
2½"	DN65	216	178	148
3"	DN80	241	191	163.5
4"	DN100	290	229	172
5"	DN125	330	254	237
6"	DN150	356	276	233
8"	DN200	455	343	301
10"	DN250	622	406	348
12"	DN300	698	483	419

Valve Material List

NO.	Name	Material	Standard
1	Body	Ductile Iron	ASTM A536 65-45-12
2	Bonnet	Ductile Iron	ASTM A536 65-45-12
3	Seat Ring	C95400	ASTM A148
4	Disc	Ductile Iron+EPDM	ASTM A536 65-45-12+ASTM D2000
5	Rocker Arm	Ductile Iron	ASTM A536 65-45-12
6	Baffle Plate	C95400	ASTM A148
7	Middle Stem	Stainless Steel 304	ASTM A276
8	Stem	Stainless Steel 304	ASTM A276
9	Bracket Screw	Stainless Steel 304	ASTM A276
10	Plug	C95400	ASTM A148
11	Gasket	Stainless Steel 304	ASTM A276
12	O-ring	EPDM	ASTM D2000
13	O-ring	EPDM	ASTM D2000
14	O-ring	EPDM	ASTM D2000
15	O-ring	EPDM	ASTM D2000
16	Bronze Bushing	Powder Metallurgy	
17	Nut	Stainless Steel 304	ASTM A276
18	Nut	Stainless Steel 304	ASTM A276
19	Cotter Pin	Stainless Steel 304	ASTM A276
20	Bolt	Steel 1045	ASTM A29
21	Bolt	Steel 1045	ASTM A29
22	Nut	Steel 1045	ASTM A29

Grooved End

Technical Features

- Nominal Pressure: 350PSI
- Groove standard : ANSI / AWWA C606 or Metric
- Sizes: 2", 2½", 3", 4", 5", 6", 8", 10", 12"
- Approvals: UL, FM
- Flange Standard: ASME / ANSI B16.1 Class 125 or ASME / ANSI B16.42 Class 150 or BS EN1092-2 PN16 or GB / T9113.1
- Maximum Working Pressure: 350PSI (Maximum Testing Pressure: 700 PSI) conforms to UL 312 & FM class 1210
- Maximum Working Temperature: 80°C / 176°F
- Coating Details: Epoxy coated interior and exterior by Electrostatic Spray or coating upon request
- Applications: Used in one-way flow pipeline to prevent the water from back flow
- Other Connections: Flange*Flange; Groove*Flange; Flange*Groove

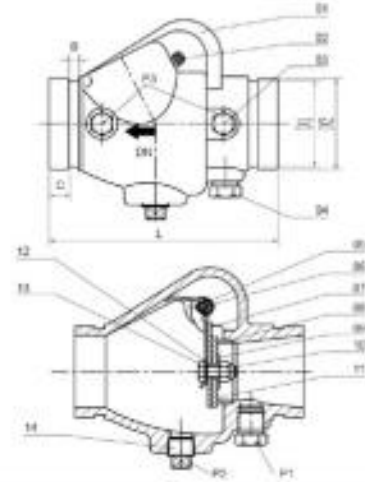


Valve Material List

NO.	Name	Material	Standard
1	Valve Body	Ductile Iron	ASTM A536 65-45-12
2	Bolt	Steel 1045	ASTM A29
3	Plug	Steel 1045	ASTM A29
4	Plug	Steel 1045	ASTM A29
5	Spring	Stainless Steel 304	ASTM A276
6	Hinge Pin	Stainless Steel 304/Ductile Iron	ASTM A276/ASTM A536 65-45-12
7	Clapper	Stainless Steel 304	ASTM A276
8	Seat	C95400	ASTM A148
9	Clamping Ring	Stainless Steel 304	ASTM A276
10	Locknut	Stainless Steel 304	ASTM A276
11	Facing Seal	EPDM	ASTM D2000
12	Gasket	EPDM	ASTM D2000
13	Bolt	Stainless Steel 304	ASTM A276
14	Plug	Steel 1045	ASTM A29

Dimensions

Size	L	D1	D2	B	C	P1	P2			P3					
2"	169	57.15	60.3	7.95	15.88	Rc½-14	Rc½-14	Rc½-14	Rc1-11	Rc1½-11	Rc1½-11	Rc2-11	Rc1½-99	Rc1½-19	Rc1½-14
						½-14NPT	½-14NPT	½-14NPT	1-11.5NPT	1½-11.5NPT	1½-11.5NPT	2-11.5NPT	¾-18NPT	¾-18NPT	¾-14NPT
2½"	181	69.09	73	7.95	15.88	Rc½-14	Rc½-14	Rc½-14	Rc1-11	Rc1½-11	Rc1½-11	Rc2-11	Rc1½-99	Rc1½-19	Rc1½-14
		72.26	76.1			½-14NPT	½-14NPT	½-14NPT	1-11.5NPT	1½-11.5NPT	1½-11.5NPT	2-11.5NPT	¾-18NPT	¾-18NPT	¾-14NPT
3"	198	84.94	88.9	7.95	15.88	Rc½-14	Rc½-14	Rc½-14	Rc1-11	Rc1½-11	Rc1½-11	Rc2-11	Rc1½-99	Rc1½-19	Rc1½-14
						½-14NPT	½-14NPT	½-14NPT	1-11.5NPT	1½-11.5NPT	1½-11.5NPT	2-11.5NPT	¾-18NPT	¾-18NPT	¾-14NPT
4"	214	110.08	114.3	9.53	15.88	Rc½-14	Rc½-14	Rc½-14	Rc1-11	Rc1½-11	Rc1½-11	Rc2-11	Rc1½-99	Rc1½-19	Rc1½-14
						½-14NPT	½-14NPT	½-14NPT	1-11.5NPT	1½-11.5NPT	1½-11.5NPT	2-11.5NPT	¾-18NPT	¾-18NPT	¾-14NPT
5"	248	135.48	139.7	9.53	15.88	Rc½-14	Rc½-14	Rc½-14	Rc1-11	Rc1½-11	Rc1½-11	Rc2-11	Rc1½-99	Rc1½-19	Rc1½-14
		137.03	141.3			½-14NPT	½-14NPT	½-14NPT	1-11.5NPT	1½-11.5NPT	1½-11.5NPT	2-11.5NPT	¾-18NPT	¾-18NPT	¾-14NPT
6"	270	160.76	165.1	9.53	15.88	Rc½-14	Rc½-14	Rc½-14	Rc1-11	Rc1½-11	Rc1½-11	Rc2-11	Rc1½-99	Rc1½-19	Rc1½-14
		163.96	168.3			½-14NPT	½-14NPT	½-14NPT	1-11.5NPT	1½-11.5NPT	1½-11.5NPT	2-11.5NPT	¾-18NPT	¾-18NPT	¾-14NPT
8"	325	211.8	216.3	11.13	19.05	Rc½-14	Rc½-14	Rc½-14	Rc1-11	Rc1½-11	Rc1½-11	Rc2-11	Rc1½-99	Rc1½-19	Rc1½-14
		214.4	219.1			½-14NPT	½-14NPT	½-14NPT	1-11.5NPT	1½-11.5NPT	1½-11.5NPT	2-11.5NPT	¾-18NPT	¾-18NPT	¾-14NPT
10"	457	268.3	273	12.7	19.05	Rc½-14	Rc½-14	Rc½-14	Rc1-11	Rc1½-11	Rc1½-11	Rc2-11	Rc1½-99	Rc1½-19	Rc1½-14
						½-14NPT	½-14NPT	½-14NPT	1-11.5NPT	1½-11.5NPT	1½-11.5NPT	2-11.5NPT	¾-18NPT	¾-18NPT	¾-14NPT
12"	635	318.3	323.9	12.7	19.05	Rc½-14	Rc½-14	Rc½-14	Rc1-11	Rc1½-11	Rc1½-11	Rc2-11	Rc1½-99	Rc1½-19	Rc1½-14
						½-14NPT	½-14NPT	½-14NPT	1-11.5NPT	1½-11.5NPT	1½-11.5NPT	2-11.5NPT	¾-18NPT	¾-18NPT	¾-14NPT



Technical Features

- Approvals: UL, CUL, FM
- Conforms to UL 789 & ULC / ORD-C789 & FM Class 1110
- Adjustable buried length: 570mm to 1500mm
- Used to identify the position of buried Gate
- Valves from 4" to 12"

Operation Manual

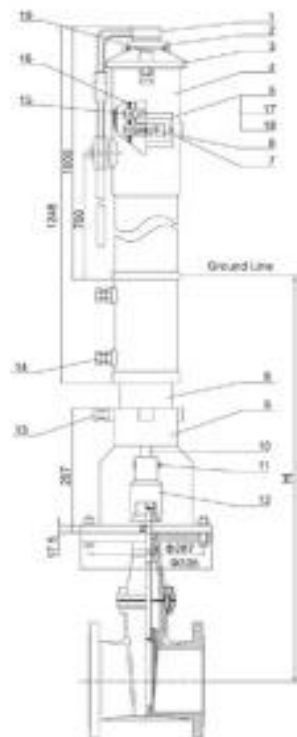
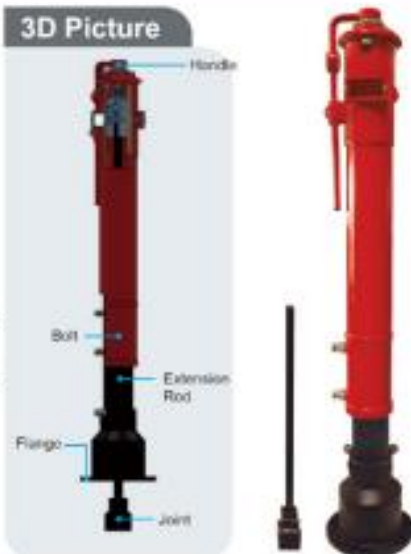
- Remove the indicator cover
- Adjust the length of the connecting rod according to buried depth and cut off the excessive part
- Connect the indicator post and gate valve which is in the closed position
- Adjust the indicator to the position of "SHUT"
- Tighten the bolts between the flange of the indicator post and post flange of gate valve
- Install the indicator cover

Material List

NO.	Name	Material	Standard
1	Handle	Ductile Iron	ASTM A536
2	Driving Rod	Stainless Steel 304	ASTM A276
3	Indicator Cover	Cast Iron	ASTM A126
4	Housing	Cast Iron	ASTM A126
5	Keyhole Plate	A283 Gr.C	ASTM A36
6	Indicator Plate	A413.0	ASTM S12A
7	Screwed Plug	Steel 1035	ASTM A29
8	Extension Rod	A283 Gr.C	ASTM A36
9	Flange	Cast Iron	ASTM A126
10	Connecting Rod	Steel 1045	ASTM A29
11	Cotter Pin	Steel 1035	ASTM A29
12	Joint	Cast Iron	ASTM A126
13	Bolt	Steel 1035	ASTM A29
14	Bolt	Steel 1035	ASTM A29
15	Bolt	Steel 1035	ASTM A29
16	Driving Nut	Stainless Steel 304	ASTM A276
17	Keyhole Plate Gasket	EPDM	ASTM D2000
18	Indicator Flap	Organic Glass	
19	Bolt	Steel 1035	ASTM A29

Dimensions

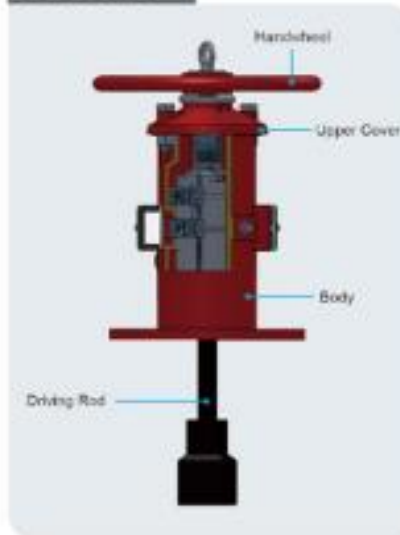
Size	H(200PSI)		H(300PSI)	
	MIN	MAX	MIN	MAX
4"	850	1780	825	1755
5"	880	1810	890	1820
6"	917	1847	925	1856
8"	1022	1952	1012	1942
10"	1115	2045	1108	2038
12"	1204	2134	1188	2118



Technical Features

- Approvals: UL, CUL, FM
- Conforms to UL 789 & ULC / ORD-C789 & FM Class 1110
- Used to Operate a Valve Installed Behind the Wall

3D Picture



Operation Manual

- Adjust the length of the connecting rod according to the depth of gate valve and cut off the excessive part
- Install the indicator post to the wall
- Connect the indicator post and gate valve which is in the closed position
- Adjust the indicator to the position of "SHUT"

Material List

NO.	Name	Material	Standard
1	Joint	Cast Iron	ASTM A536
2	Cotter Pin	Steel 1035	ASTM A29
3	Driving Rod	Steel 1045	ASTM A29
4	Main Body	Cast Iron	ASTM A126
5	Indicator Plate	A413.0	ASTM S12A
6	Nut, Gasket	Steel 1035	ASTM A29
7	Stud Bolt	Steel 1035	ASTM A29
8	Position Bracket	Stainless Steel 304	ASTM A276
9	Driver	Stainless Steel 304	ASTM A276
10	Retainer Ring For Stem	1566	ASTM A29
11	Upper Cover	Cast Iron	ASTM A126
12	Handwheel	Cast Iron	ASTM A126
13	Gasket	A283 Gr.C	ASTM A36
14	Lift Ring	Steel 1035	ASTM A29
15	Screw	Steel 1035	ASTM A29
16	Nut	Steel 1035	ASTM A29
17	Bolt	Steel 1035	ASTM A29
18	Screwed Plug	Steel 1035	ASTM A29
19	Bolt, Flat Gasket	Stainless Steel 304	ASTM A276
20	Keyhole Plate	A283 Gr.C	ASTM A36
21	Keyhole	Organic Glass	
22	Keyhole Plate Gasket	EPDM	ASTM D2000

